



© All rights reserved 2017

# PaperFoam

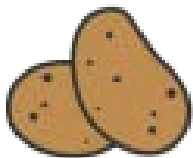
**the ultimate material for low  
carbon packaging of eggs**

Mark Geerts

Food Valley Packaging Summit  
7 december 2017  
Ede







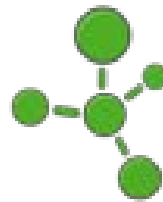
INDUSTRIAL  
STARCH



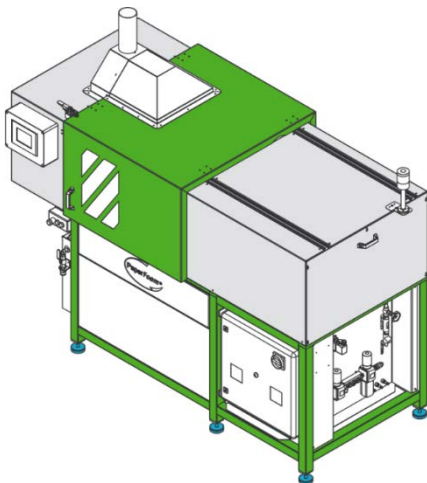
NATURAL  
FIBERS



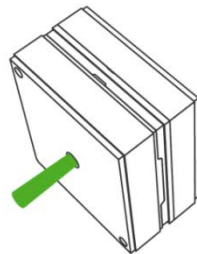
WATER



PREMIX



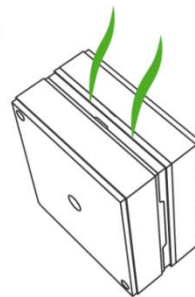
1.



INJECTION



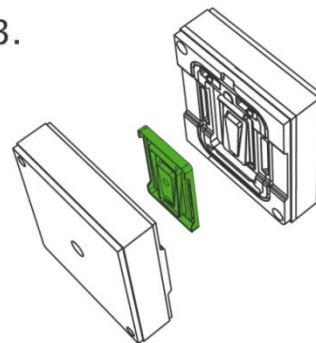
2.



BAKING



3.



PRODUCT

# Where we are



# Sustainability



- Low in carbon footprint
- Energy efficient in production
- Renewable raw materials
- Paper recyclable
- Home compostable
- No MOSH-MOAH effects (mineral oil contamination)

# Common egg cartons



GreenNest /  
Huhtamaki



Polystyrene



Pulp



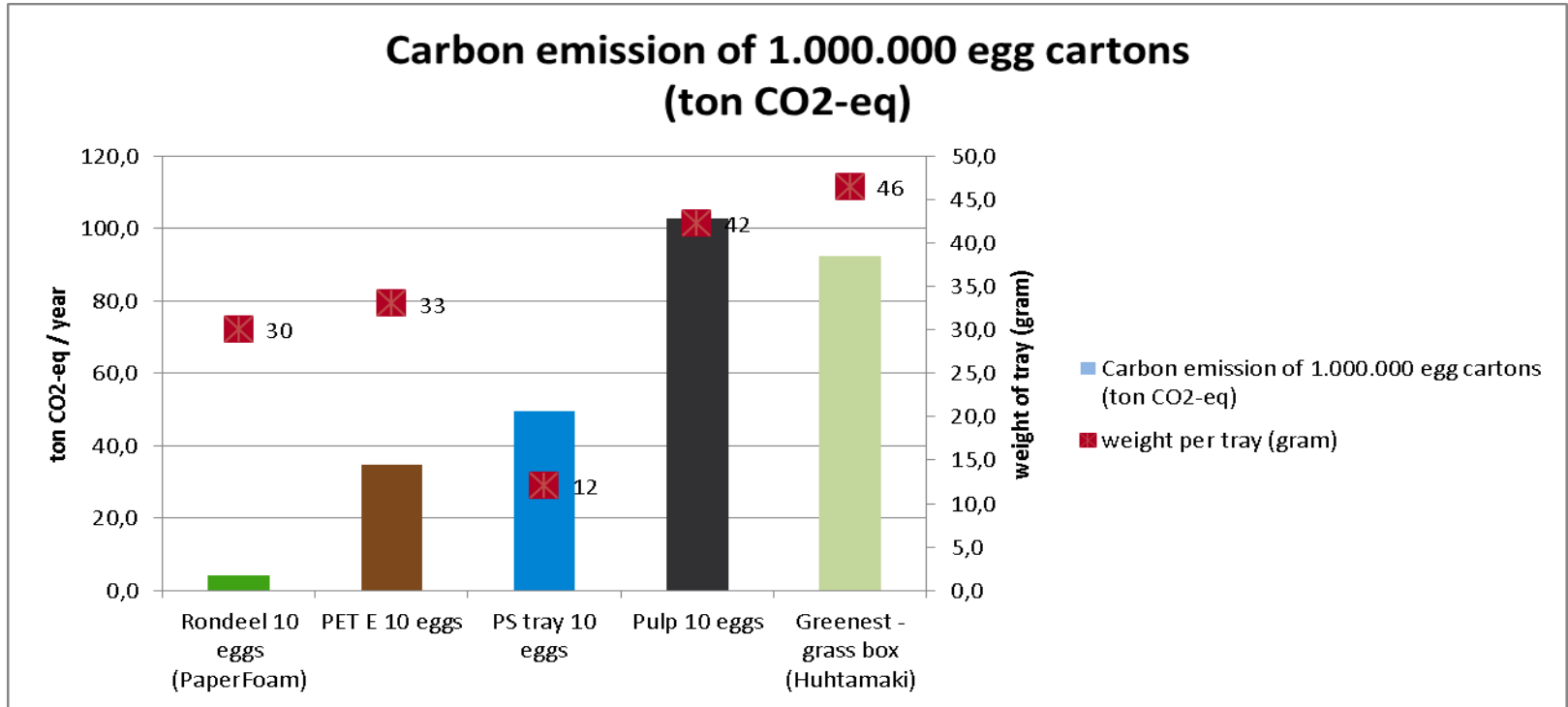
Rondeel /  
PaperFoam



PET

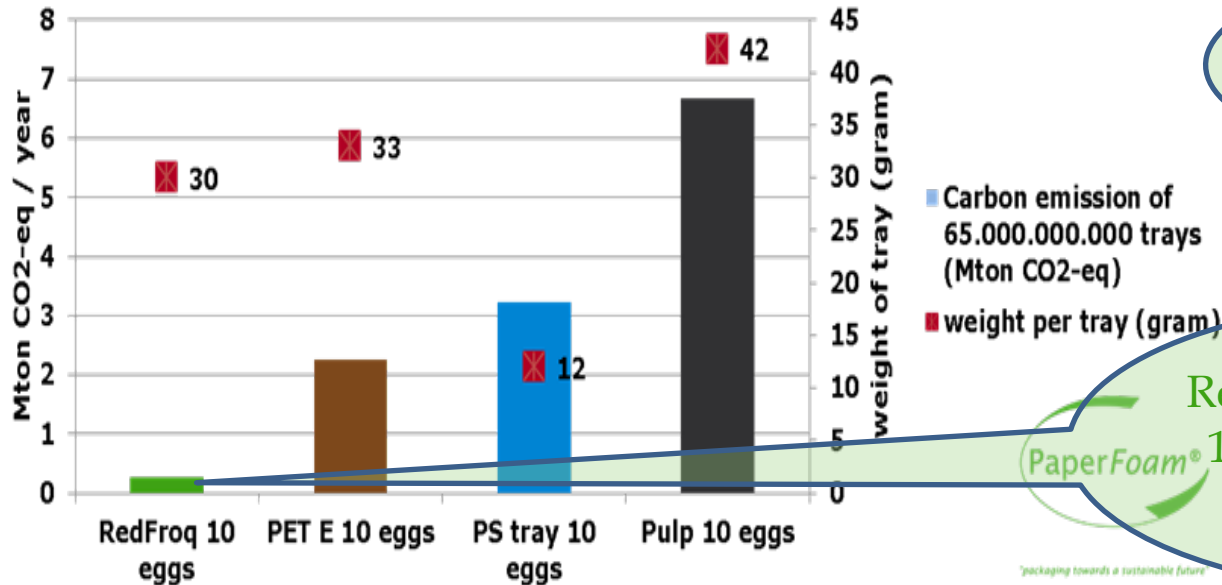


# Carbon emissions



# CO2 reduction counts!

Carbon emission of 65.000.000.000 trays  
(Mton CO2-eq)



Every Chinese 1 egg box per week in PaperFoam

Reduction equivalent of 1% of China's carbon emission

\*packaging towards a sustainable future



*Packaging towards a sustainable future*

Mark Geerts  
PaperFoam bv

[info@paperfoam.com](mailto:info@paperfoam.com)  
[geertsm@paperfoam.com](mailto:geertsm@paperfoam.com)

US: +1 (415) 712-6507  
EU: +31 6 14964755